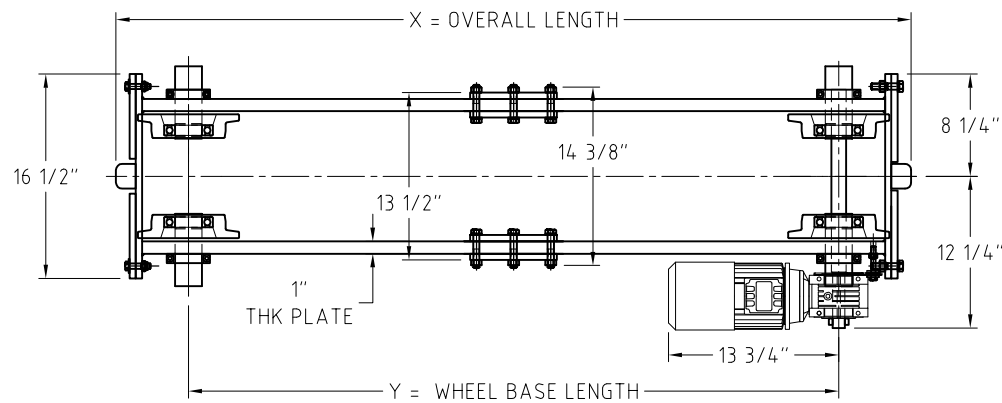


ace ADVANTAGE END TRUCKS

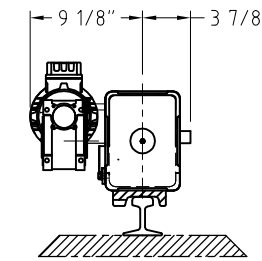
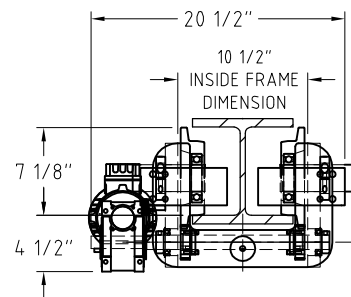
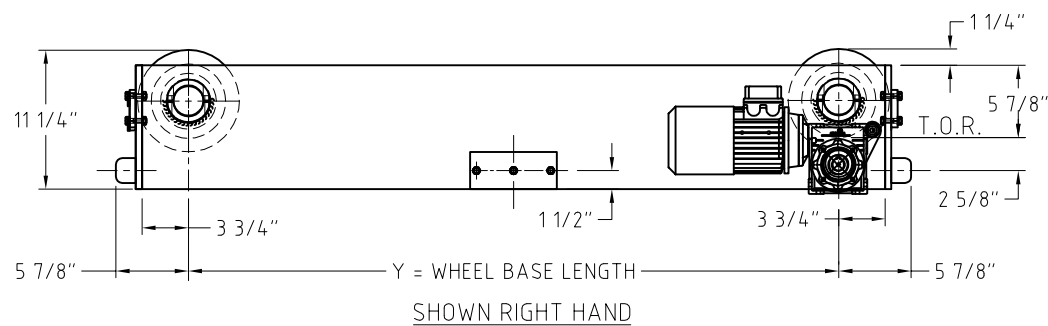
Your Most Economical Source For Crane Kits!

UNDER RUNNING

CAPACITY	MAX SPAN	WHEEL BASE	BEAM FLANGE S OR W	MWL (PR)	WEIGHT LBS	MODEL NO.
5 TON	35'	52.5"	4.625 TO 8.125	7600	1000	AU52
5 TON	48'	72"	4.625 TO 8.125	7600	1200	AU72
5 TON	60'	90"	4.625 TO 8.125	7600	1400	AU90

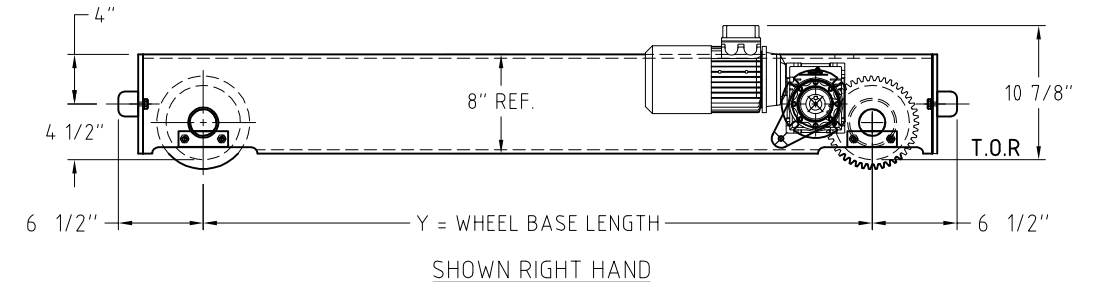
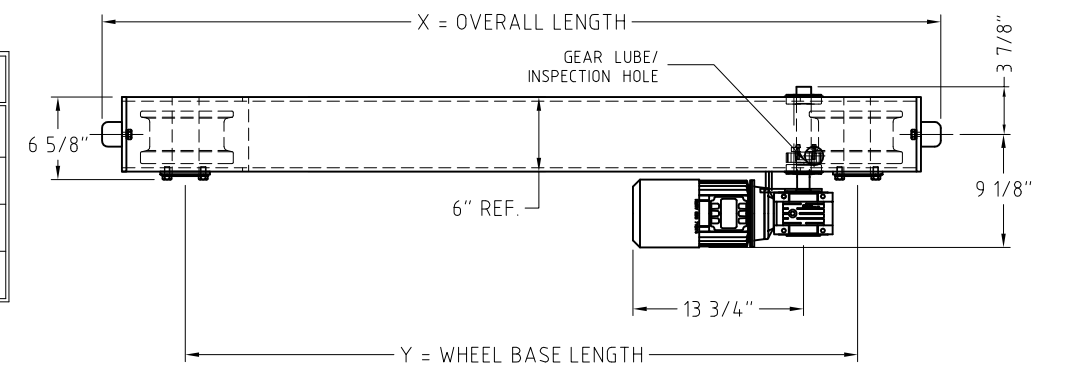


WHEEL BASE	OVERALL LENGTH
Y	X
52.5"	64.25"
72"	83.75"
90"	101.75"



TOP RUNNING

CAPACITY	MAX SPAN	WHEEL BASE	RAIL SIZE	MWL (PR)	WEIGHT LBS	MODEL NO.
7.5 TON	36'	54"	30/40#	9760	700	AT54
5 TON	48'	72"	30/40#	9760	800	AT72
5 TON	60'	90"	30/40#	9760	1125	AT90



THIS IS JUST PART OF THE ECONOMICAL ACE ADVANTAGE LINE.

THESE END TRUCKS INCLUDE:

DUAL DRIVE, CMAA CLASS "C", WORM GEARMOTOR, 100FPM, 2 @ 1/2 HP, BRAKE WITH MANUAL RELEASE.

CONTROLS:

ACE BRIDGE PANEL MAGNETEK INVERTER
30AMP MAINLINE CONTACTOR & DISCONNECT
FUSED CONTROL POWER TRANSFORMER
NEMA 4 / 12 ENCLOSURE (SPECIFY 230 OR 460)
230V VFD CONTROL (ADDER CONTACT FACTORY)

TOLERANCES
UNLESS OTHERWISE SPECIFIED

METRIC	ENGLISH
.X ±.5mm	.X ±.05
.XX ±.10mm	.XX ±.015
.XXX ±.01mm	.XXX ±.005
	.XXXX ±.0005
ANGULAR ± 0° 30'	
LINEAR FRACTIONAL ± 1/16"	HEAT TREATMENT Rockwell ± 4 Brinell ± 15
HOLES FRACTIONAL ± 1/32"	

PRICE YOURS TODAY AT WWW.ACEWORLDCOMPANIES.COM

REV.	DATE	DESCRIPTION
THIS DWG IS PROPERTY OF ACE WORLD COMPANIES (AWC) AND CONTAINS PROPRIETARY INFORMATION WHICH MAY NOT BE COPIED OR REPRODUCED WITHOUT PRIOR WRITTEN CONSENT FROM AWC.		
		10200 JACKSBORO HWY. FORT WORTH, TX 76135 PHONE 817.237.7700 FAX 817.237.2777

DRAWN BY: BAM	CHECKED BY:	APR:	DATE: 9-2-10	QTY:	ITEM:
DRAWING TITLE: ACE ADVANTAGE END TRUCK LINE UNDER RUNNING / TOP RUNNING			SCALE: NTS	PR.	69
PART NO: ADVANTAGE			JOB NO: ADVANTAGE		