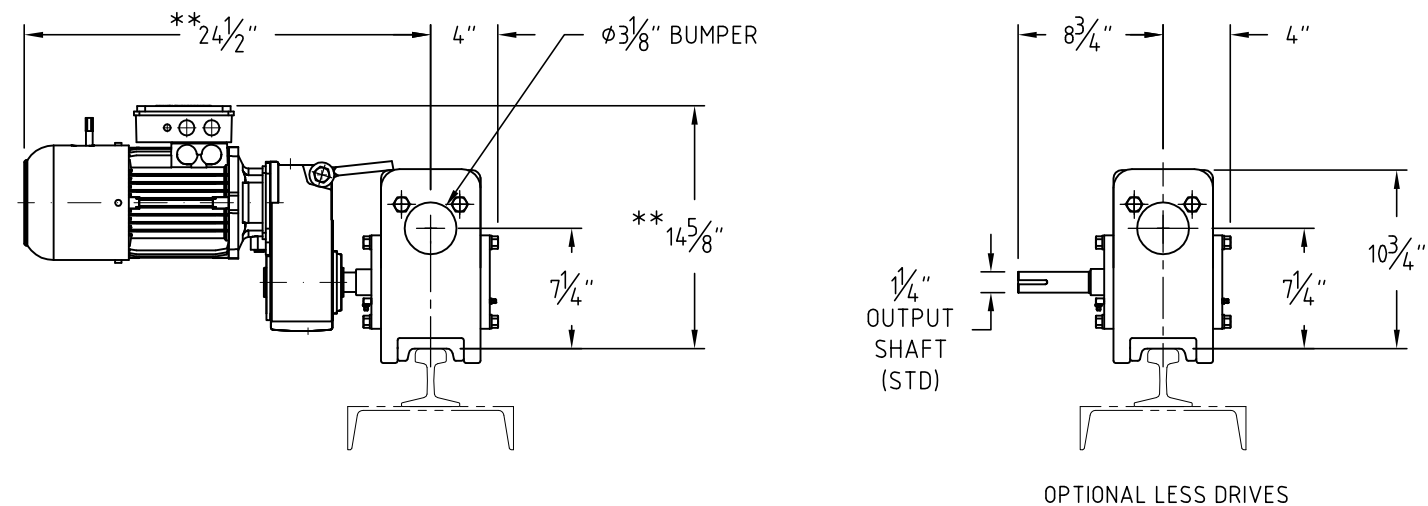
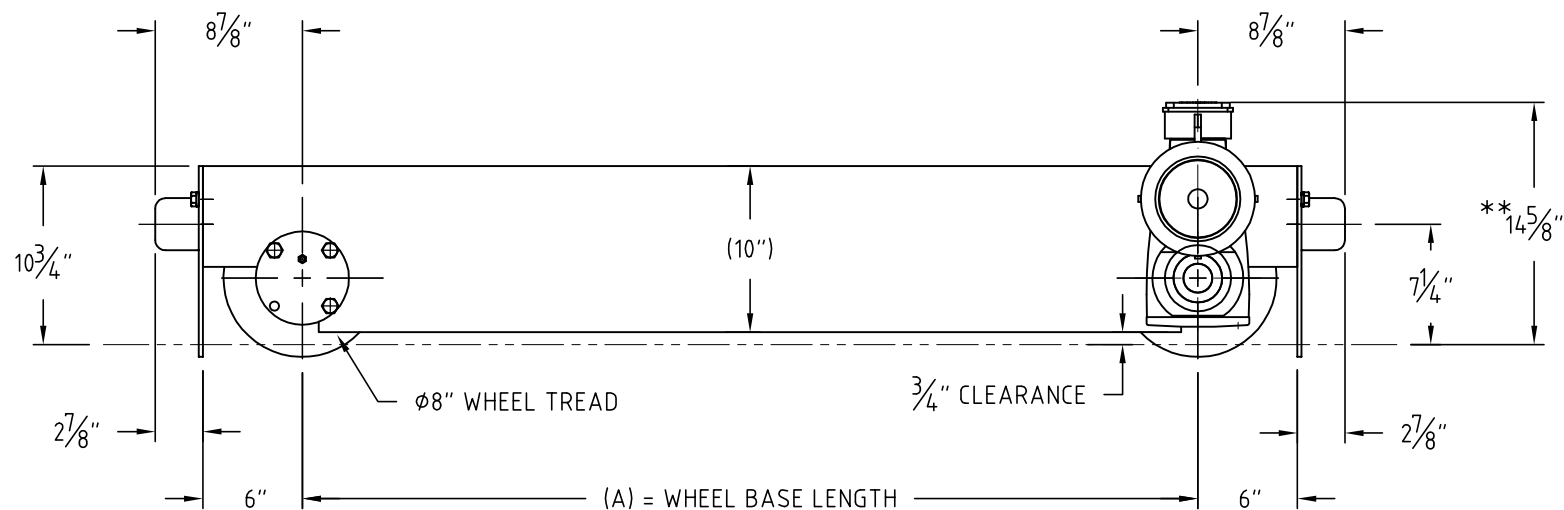


NOTES:

01. TOP RUNNING ROTATING AXLE
02. WHEEL DIAMETER 8"
03. WHEELS ARE DOUBLE FLANGE FLAT TREAD
04. WHEELS TO BE HARDENED MIN. 400BHN
05. WHEEL TREAD UP TO ASCE 60# RAIL (2" SQUARE BAR)
06. WHEEL BEARINGS ARE DOUBLE ROW SPHERICAL ROLLER
07. ALL MOTORS FURNISHED W/THERMOSTATS
08. ALL MOTORS FURNISHED W/DISC BRAKES
09. ALL END TRUCKS INCLUDE RAIL SWEEPS AND BUMPERS

<input type="checkbox"/>	APPROVED
<input type="checkbox"/>	NOT APPROVED - RESUBMIT
<input type="checkbox"/>	APPROVED AS NOTED
BY: _____	
DATE: _____	

OPTIONS				
END TRUCK DIMENSIONS/SPECIFICATIONS				
	W.B. (A)	O.A.L. (B)	*WHL LOAD	APPROX WGT.
<input type="checkbox"/>	54"	71-3/4"	17,600	1,600
<input type="checkbox"/>	72"	89-3/4"	17,600	1,800
<input type="checkbox"/>	90"	107-3/4"	17,600	2,000
<input type="checkbox"/>	108"	125-3/4"	17,600	2,200
<input type="checkbox"/>	126"	143-3/4"	17,600	2,400
<input type="checkbox"/>	150"	167-3/4"	17,600	2,600
<input type="checkbox"/>	_____	_____	_____	_____
END TRUCK TRAVEL				
	SPEED	HORSEPOWER		
<input type="checkbox"/>	0 - 80 FPM	1 HP - 1800		
<input type="checkbox"/>	0 - 120 FPM	1.5 HP - 1800		
<input type="checkbox"/>	0 - 165 FPM	1.5 HP - 1800		
<input type="checkbox"/>	0 - 165 FPM	2 HP - 1800		
<input type="checkbox"/>	0 - 200 FPM	3 HP - 1800		
<input type="checkbox"/>	_____	_____		
PAINT				
	COATING		COLOR	
<input type="checkbox"/>	PRIMER ONLY	<input type="checkbox"/>	SAFETY YELLOW	
<input type="checkbox"/>	PAINT	<input type="checkbox"/>	_____	
VOLTAGE AND FULL LOAD AMPERAGE				
HORSEPOWER	<input type="checkbox"/> 208V	<input type="checkbox"/> 230V	<input type="checkbox"/> 460V	<input type="checkbox"/> 575V
1.5 HP - 1800	5.35 AMPS	4.84 AMPS	2.42 AMPS	1.94 AMPS
2 HP - 1800	7.01 AMPS	6.34 AMPS	3.17 AMPS	2.54 AMPS
3 HP - 1800	9.95 AMPS	9.00 AMPS	4.50 AMPS	3.60 AMPS



PER CMAA SPECIFICATION #70, SECTION 5.2.10.3 ACTUAL FULL LOAD SPEED MAY VARY ±10%

CUSTOMER:	PO NUMBER:

QTY. () ENDTRUCK(S).

QTY. () PAIR(S): ASSEMBLE ONE ENDTRUCK AS SHOWN & ONE OPPOSITE HAND PER PAIR.

A	02/06/2015	PUBLISHED DOCUMENT
REV.	DATE	DESCRIPTION
THIS DWG IS PROPERTY OF ACE WORLD COMPANIES (AWCI) AND CONTAINS PROPRIETARY INFORMATION WHICH MAY NOT BE COPIED OR REPRODUCED WITHOUT PRIOR WRITTEN CONSENT FROM AWCI.		
10200 JACKSBORO HWY. FORT WORTH, TX 76135 PHONE 817.237.7700 FAX 817.237.2777		ace World Companies

* WHEEL LOADS PROVIDED FOR CMAA CLASS "D" APPLICATIONS ON ASCE 40# RAIL

**DIMENSIONS SHOWN ARE FOR THE LARGEST HORESPOWER AVAILABLE

DRAWN BY:	BAM	CHECKED BY:	APPROVED BY:	SCALE:	NTS	DATE:	02/06/2015
DRAWING TITLE				JOB NO.	SHEET	1 OF 1	REV.
ACE STANDARD 8" WHEEL END TRUCK TOP RUNNING - GENERAL LAYOUT				PART NO.	R08T	A	