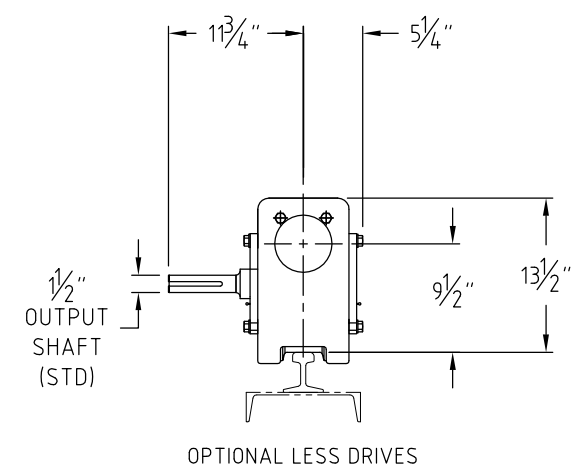
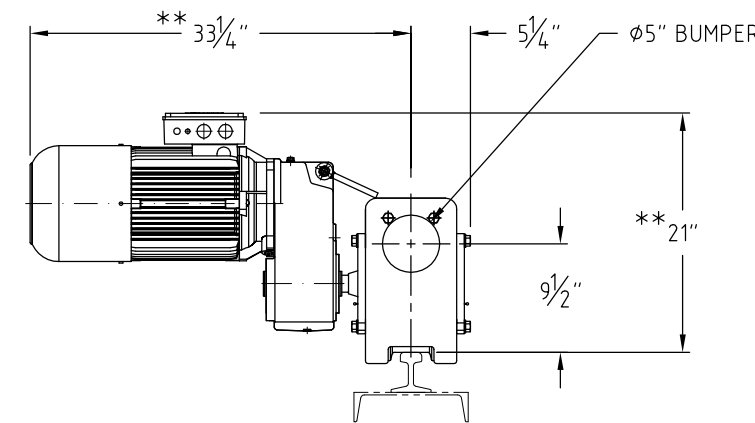
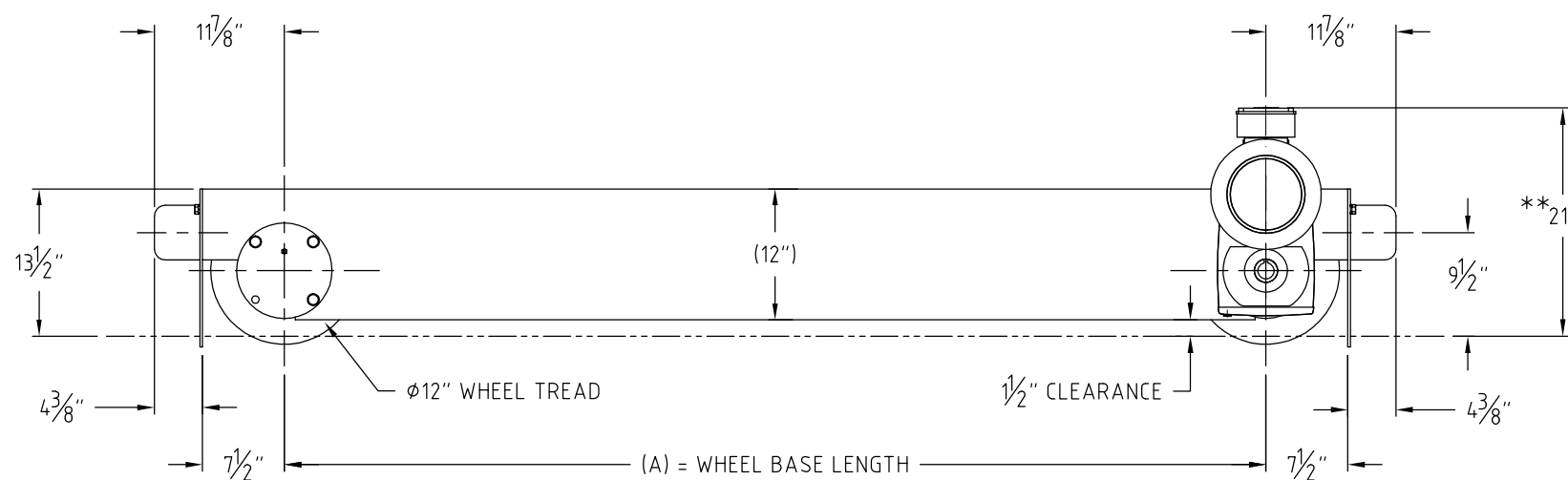


NOTES:

01. TOP RUNNING ROTATING AXLE
02. WHEEL TREAD DIAMETER 12"
03. WHEELS ARE DOUBLE FLANGE FLAT TREAD
04. WHEELS TO BE HARDENED MIN. 400BHN
05. WHEEL TREAD UP TO ASCE 105# RAIL
06. WHEEL BEARINGS ARE DOUBLE ROW SPHERICAL ROLLER
07. ALL MOTORS CLASS "F" INSULATION AND TEFC ENCLOSURE
08. ALL MOTORS FURNISHED W/THERMOSTATS
09. ALL MOTORS FURNISHED W/DISC BRAKES
10. ALL END TRUCKS INCLUDE RAIL SWEEPS AND BUMPERS

<input type="checkbox"/>	APPROVED
<input type="checkbox"/>	NOT APPROVED - RESUBMIT
<input type="checkbox"/>	APPROVED AS NOTED
BY: _____	
DATE: _____	

OPTIONS						
END TRUCK DIMENSIONS/SPECIFICATIONS				END TRUCK TRAVEL		
	W.B. (A)	O.A.L. (B)	*WHL LOAD	APPROX WGT.	SPEED	HORSEPOWER
<input type="checkbox"/>	54"	77-3/4"	37,000	3,400	<input type="checkbox"/> 0 - 80 FPM	1.5 HP - 1800
<input type="checkbox"/>	72"	95-3/4"	37,000	3,600	<input type="checkbox"/> 0 - 80 FPM	2 HP - 1800
<input type="checkbox"/>	90"	113-3/4"	37,000	3,800	<input type="checkbox"/> 0 - 80 FPM	3 HP - 1800
<input type="checkbox"/>	108"	131-3/4"	37,000	4,000	<input type="checkbox"/> 0 - 120 FPM	2 HP - 1800
<input type="checkbox"/>	126"	149-3/4"	37,000	4,200	<input type="checkbox"/> 0 - 120 FPM	3 HP - 1800
<input type="checkbox"/>	150"	173-3/4"	37,000	4,500	<input type="checkbox"/> 0 - 180 FPM	3 HP - 1800
<input type="checkbox"/>	174"	197-3/4"	37,000	4,800	<input type="checkbox"/> 0 - 180 FPM	5 HP - 1800
<input type="checkbox"/>					<input type="checkbox"/> 0 - 240 FPM	5 HP - 1800
<input type="checkbox"/>					<input type="checkbox"/> 0 - 300 FPM	7.5 HP - 1800
<input type="checkbox"/>					<input type="checkbox"/> 0 - 300 FPM	10 HP - 1800
<input type="checkbox"/>						
PAINT						
	COATING		COLOR			
<input type="checkbox"/>	PRIMER ONLY	<input type="checkbox"/>	SAFETY YELLOW			
<input type="checkbox"/>	PAINT	<input type="checkbox"/>				
VOLTAGE AND FULL LOAD AMPERAGE						
HORSEPOWER	<input type="checkbox"/> 208V	<input type="checkbox"/> 230V	<input type="checkbox"/> 460V	<input type="checkbox"/> 575V		
15 HP - 1800	5.35 AMPS	4.84 AMPS	2.42 AMPS	1.94 AMPS		
2 HP - 1800	7.01 AMPS	6.34 AMPS	3.17 AMPS	2.54 AMPS		
3 HP - 1800	9.95 AMPS	9.00 AMPS	4.50 AMPS	3.60 AMPS		
5 HP - 1800	16.80 AMPS	15.20 AMPS	7.62 AMPS	6.10 AMPS		
7.5 HP - 1800	21.90 AMPS	19.80 AMPS	9.90 AMPS	7.92 AMPS		
10 HP - 1800	28.50 AMPS	25.80 AMPS	12.9 AMPS	10.30 AMPS		



PER CMAA SPECIFICATION #70, SECTION 5.2.10.3 ACTUAL FULL LOAD SPEED MAY VARY ±10%

CUSTOMER:	PO NUMBER:	<input type="checkbox"/> QTY. () ENDTRUCK(S). <input type="checkbox"/> QTY. () PAIR(S): ASSEMBLE ONE ENDTRUCK AS SHOWN & ONE OPPOSITE HAND PER PAIR.
-----------	------------	---

A	02/09/2015	PUBLISHED DOCUMENT
REV.	DATE	DESCRIPTION
THIS DWG IS PROPERTY OF ACE WORLD COMPANIES (AWC) AND CONTAINS PROPRIETARY INFORMATION WHICH MAY NOT BE COPIED OR REPRODUCED WITHOUT PRIOR WRITTEN CONSENT FROM AWC.		
		10200 JACKSBORO HWY. FORT WORTH, TX 76135 PHONE 817.237.7700 FAX 817.237.2777

*WHEEL LOADS PROVIDED FOR CMAA CLASS "D" APPLICATIONS ON ASCE 60# RAIL, LESS THAN 180FPM
 **DIMENSIONS SHOWN ARE FOR THE LARGEST HORSEPOWER AVAILABLE

DRAWN BY: BAM	CHECKED BY:	APPROVED BY:	SCALE: NTS	DATE: 02/09/2015
DRAWING TITLE: ACE STANDARD 12" WHEEL END TRUCK TOP RUNNING - GENERAL LAYOUT			JOB NO.:	SHEET: 1 OF 1
PART NO. R12T			REV: A	