

NOTES:

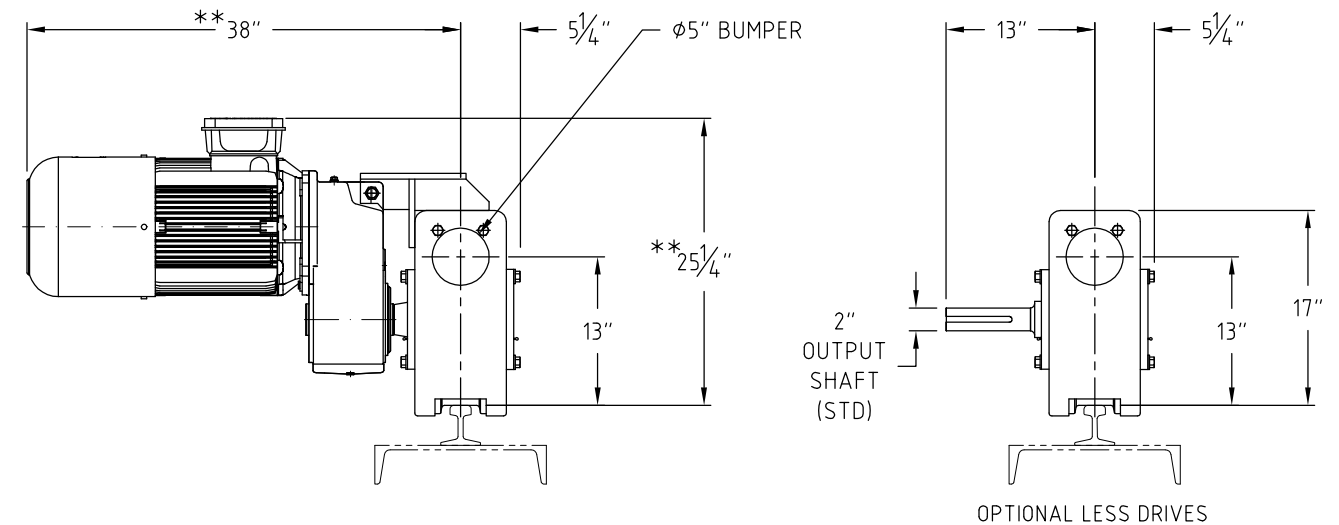
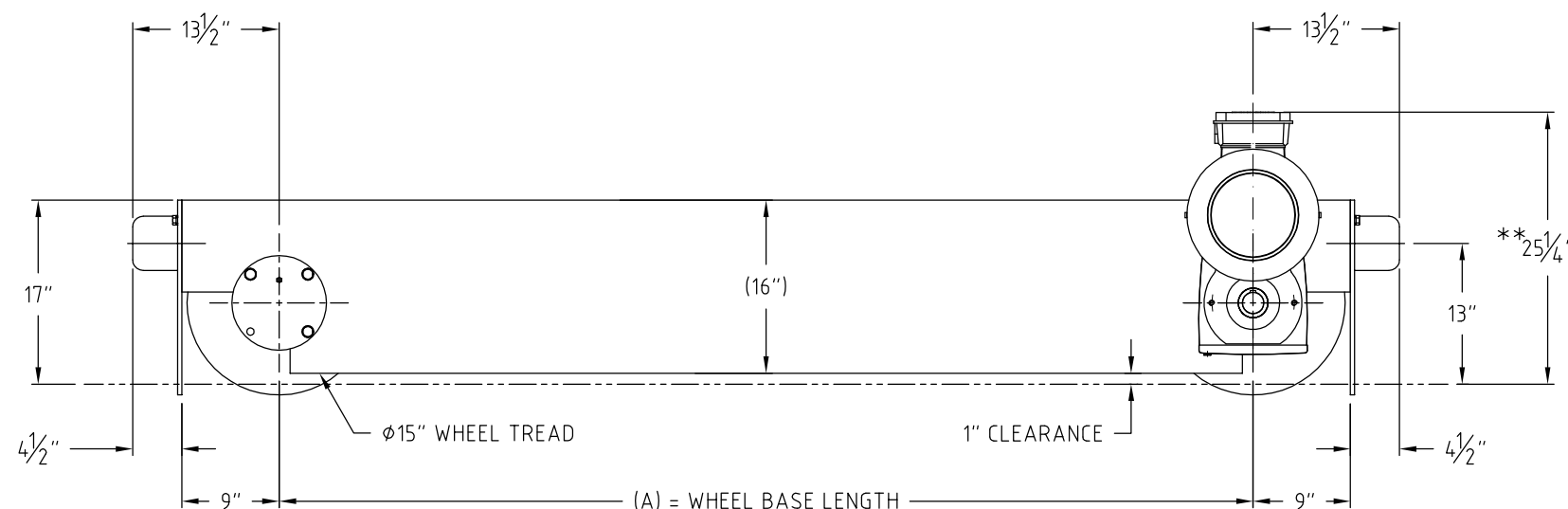
01. TOP RUNNING ROTATING AXLE
02. WHEEL TREAD DIAMETER 15"
03. WHEELS ARE DOUBLE FLANGE FLAT TREAD
04. WHEELS TO BE HARDENED MIN. 400BHN
05. WHEEL TREAD UP TO ASCE 105# RAIL (OPTIONAL ASCE 135# AVAILABLE)
06. WHEEL BEARINGS ARE DOUBLE ROW SPHERICAL ROLLER
07. ALL MOTORS CLASS "F" INSULATION AND TEFC ENCLOSURE
08. ALL MOTORS FURNISHED W/THERMOSTATS
09. ALL MOTORS FURNISHED W/DISC BRAKES
10. ALL END TRUCKS INCLUDE RAIL SWEEPS AND BUMPERS

APPROVED
 NOT APPROVED - RESUBMIT
 APPROVED AS NOTED
 BY: _____
 DATE: _____

OPTIONS						
END TRUCK DIMENSIONS/SPECIFICATIONS				END TRUCK TRAVEL		
<input type="checkbox"/>	W.B. (A)	O.A.L. (B)	*WHL LOAD	APPROX WGT.	SPEED	HORSEPOWER
<input type="checkbox"/>	54"	81"	37,000	4,400	0 - 80 FPM	2 HP - 1800
<input type="checkbox"/>	72"	99"	37,000	4,600	0 - 80 FPM	3 HP - 1800
<input type="checkbox"/>	90"	117"	37,000	4,800	0 - 120 FPM	3 HP - 1800
<input type="checkbox"/>	108"	135"	37,000	5,200	0 - 120 FPM	5 HP - 1800
<input type="checkbox"/>	126"	153"	37,000	5,400	0 - 180 FPM	5 HP - 1800
<input type="checkbox"/>	150"	177"	37,000	5,700	0 - 180 FPM	7.5 HP - 1800
<input type="checkbox"/>	174"	201"	37,000	6,000	0 - 240 FPM	7.5 HP - 1800
<input type="checkbox"/>					0 - 240 FPM	10 HP - 1800
<input type="checkbox"/>					0 - 300 FPM	10 HP - 1800
<input type="checkbox"/>					0 - 300 FPM	15 HP - 1800
<input type="checkbox"/>						

PAINT			
<input type="checkbox"/>	COATING	<input type="checkbox"/>	COLOR
<input type="checkbox"/>	PRIMER ONLY	<input type="checkbox"/>	SAFETY YELLOW
<input type="checkbox"/>	PAINT	<input type="checkbox"/>	

VOLTAGE AND FULL LOAD AMPERAGE				
HORSEPOWER	<input type="checkbox"/> 208V	<input type="checkbox"/> 230V	<input type="checkbox"/> 460V	<input type="checkbox"/> 575V
2 HP - 1800	7.01 AMPS	6.34 AMPS	3.17 AMPS	2.54 AMPS
3 HP - 1800	9.95 AMPS	9.00 AMPS	4.50 AMPS	3.60 AMPS
5 HP - 1800	16.80 AMPS	15.20 AMPS	7.62 AMPS	6.10 AMPS
7.5 HP - 1800	21.90 AMPS	19.80 AMPS	9.90 AMPS	7.92 AMPS
10 HP - 1800	28.50 AMPS	25.80 AMPS	12.9 AMPS	10.30 AMPS
15 HP - 1800	--	38.40 AMPS	19.2 AMPS	14.70 AMPS



PER CMAA SPECIFICATION #70, SECTION 5.2.10.3 ACTUAL FULL LOAD SPEED MAY VARY ±10%

CUSTOMER: _____ PO NUMBER: _____

QTY. () ENDTRUCK(S).
 QTY. () PAIR(S): ASSEMBLE ONE ENDTRUCK AS SHOWN & ONE OPPOSITE HAND PER PAIR.

A	02/09/2015	PUBLISHED DOCUMENT
REV.	DATE	DESCRIPTION
THIS DWG IS PROPERTY OF ACE WORLD COMPANIES (AWC) AND CONTAINS PROPRIETARY INFORMATION WHICH MAY NOT BE COPIED OR REPRODUCED WITHOUT PRIOR WRITTEN CONSENT FROM AWC.		
10200 JACKSBORO HWY. FORT WORTH, TX 76135 PHONE 817.237.7700 FAX 817.237.2777		

*WHEEL LOADS PROVIDED FOR CMAA CLASS "D" APPLICATIONS ON ASCE 60# RAIL, LESS THAN 180FPM
 **DIMENSIONS SHOWN ARE FOR THE LARGEST HORSEPOWER AVAILABLE

DRAWN BY: BAM CHECKED BY: _____ APPROVED BY: _____
 DRAWING TITLE: ACE STANDARD 15" WHEEL END TRUCK TOP RUNNING - GENERAL LAYOUT
 SCALE: NTS DATE: 02/09/2015
 JOB NO. SHEET: 1 OF 1 REV: A
 PART NO. R15T